

RF Modules

CRM-0010 / 0020 / 0100

Product Specifications

1. Features

- 125 KHz Standard RF reader Module

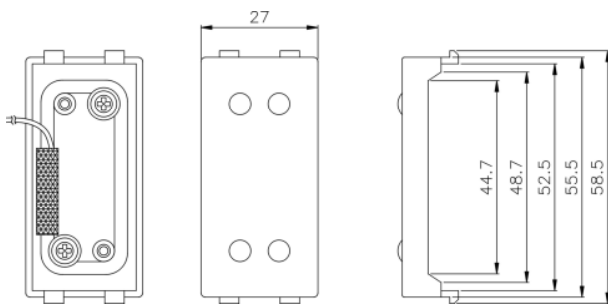


CRM-0010

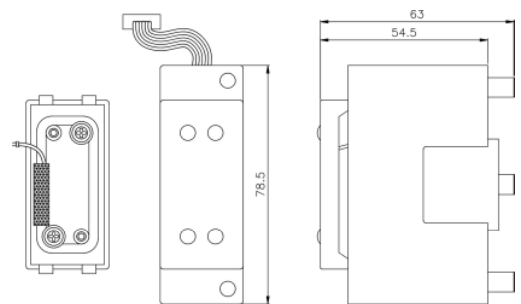


CRM-0020

2. Dimensions



CRM-0010



CRM-0020

3. Specifications

Model	Operating Voltage	Normal Consumption Current	Card Reading		Temperature Operating Range
			Reading Distance	Reading Speed	
CRM-0010	DC 5V	Under 60mA	Over 50mm	Within 500ms	-20°C ~ 60°C
CRM-0020					
CRM-0100		Under 70mA	Over 45mm	Within 200ms	-10°C ~ 45°C
KJCRM-0040					