

# Recessed Magnet Contact

## AMS-25 Series / AMS-26 Series

## Product Specifications

### 1. Features

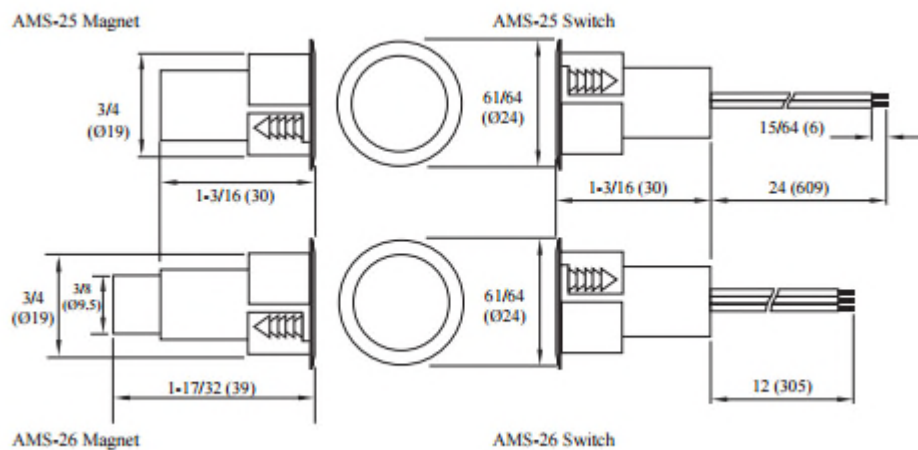
- UL and ULC Listed
- Self-locking
- Available in brown, gray, or ivory



AMS-25

AMS-26

### 2. Dimensions



### 3. Specifications

Model Number	Operating Gap	Contact	Contact Type	Max. Switching Current	Max. Carry Current	Breakdown Voltage	Rating	Magnet Type	Mounting Method	Operating Temperature Range
AMS-25A	3/4"	24" Lead	N.O	0.5A	1.0A	200V DC	10VA	Alnico 5	Press Fit	32°F ~ 120°F (0°C ~ 49°C)
AMS-25B			N.O N.C	0.2A	0.5A	200V DC	3VA			
AMS-26A	1 1/4"	12" Lead	N.O	0.5A	1.0A	200V DC	10VA			
AMS-26B			N.O N.C	0.2A	0.5A	200V DC	3VA			

The specification is subject to change without any prior notice for the improvement or modifications

. K&J Electronics Inc., Unit301-5F, Bucheon Technopark Ssangyong III,  
#36-1 Samjeong-Dong, Ojeong-Gu, Bucheon-Si, Gyeonggi-Do, Korea

Tel: 82-(0)32-624-1200~3 Fax: 82-(0)32-624-1225 e-mail: Sales@knjelectronics.com