

Surface Magnet Contact

AMS-10C / S

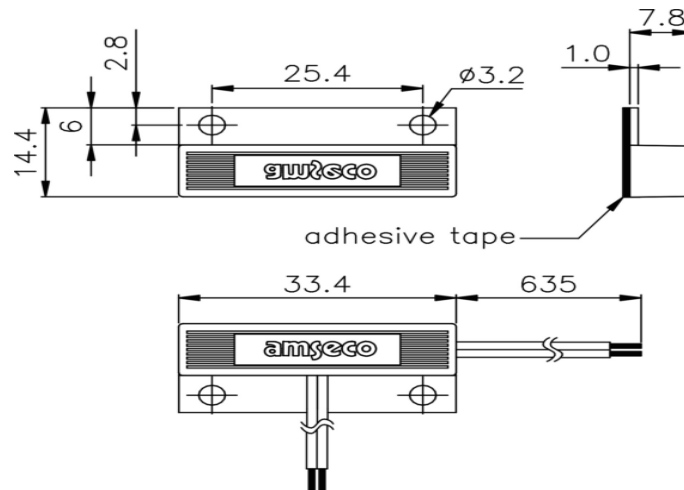
Product Specifications

1. Features

- UL and ULC Listed
- Slim design for tight spaces
- 3/4" operating gap
- Alnico 5 magnet
- Available in white, brown, gray, or ivory
- Screw or 3M adhesive



2. Dimensions



3. Specifications

| Model Number | Operating Gap | Contact | Contact Type | Max. Switching Current | Max. Carry Current | Breakdown Voltage | Rating | Magnet Type | Mounting Method |
|--------------|---------------|--------------------------|--------------|------------------------|--------------------|-------------------|--------|-------------|----------------------------------|
| AMS-10C | 3/4" | 25"Lead (Center Lead) | N.O | 0.5A | 1.0A | 200V DC | 10VA | Alnico 5 | Screw in Or self- Adhesive |
| AMS-10S | | 25"Lead (Side Lead) | | | | | | | |