

Overhead Door Contact

ODC-51 Series

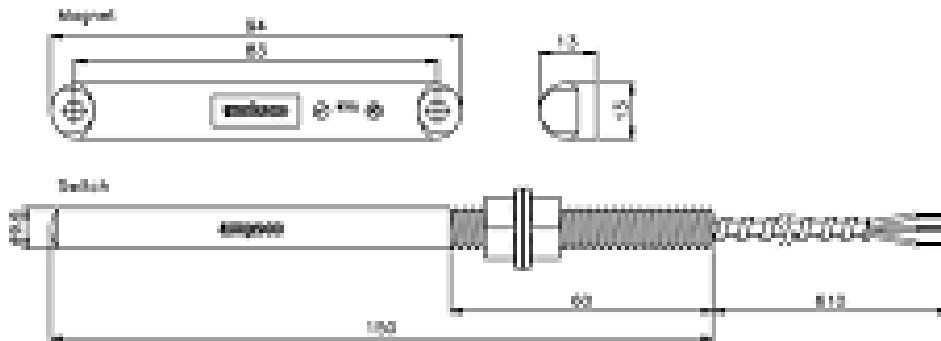
Product Specifications

1. Features

- 2" operating gap
- Adjustable, threaded switch aluminum housing
- Convenient out-of-reach installation
- Stranded UL grade AWG#22 wiring
- Surface mount Alnico 5 magnet
- 24" stainless steel armored cable
- Magnetic housing - UL 94Vo, ABS plastic
- Private labeling available upon request
- Available color: gray



2. Dimensions



3. Specifications

Model Number	Operating Gap	Contact Type	Max. Switching Current	Max. Carry Current	Breakdown Voltage	Rating	Magnet Type	Operating Temperature Range
ODC-51A	2"	N.C	0.5A	2A	250V DC	10VA	Alnico 5	32°F ~120°F (0°C ~ 49°C)
ODC-51B		N.O N.C	0.2A	0.5A	150V DC	3VA		