

Overhead Door Contact

ODC-56 Series

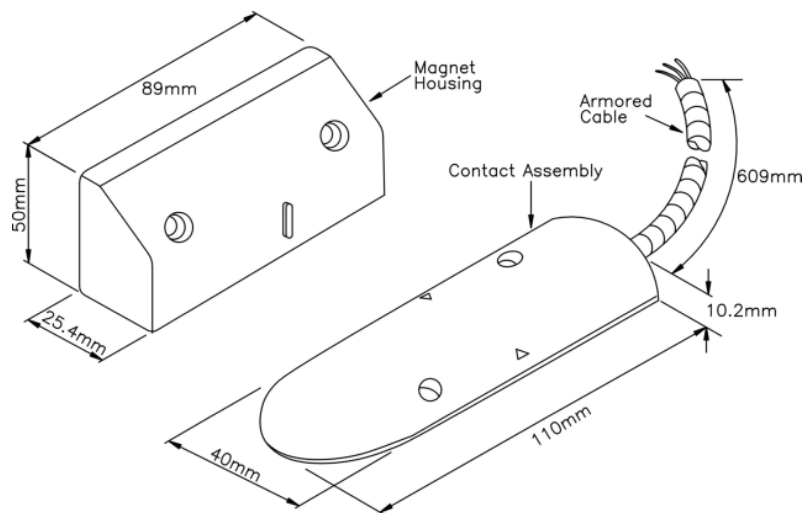
Product Specifications

1. Features

- UL and ULC listed
- 2" operating gap
- 24" stainless steel armored cable
- Hermetically sealed reed switch



2. Dimensions



3. Specifications

Model Number	Operating Gap	Contact	Contact Type	Max. Switching Current	Max. Carry Current	Breakdown Voltage	Rating	Magnet Type	Operating Temperature Range
ODC-56A	2"	24"Lead	N.O	0.5A	2A	250V DC	10VA	Alnico-5	-40°F ~257°F (-40°C ~ 125°C)
ODC-56B			N.O N.C	0.2A	0.5A	200V DC	3VA		

The specification is subject to change without any prior notice for the improvement or modifications

. K&J Electronics Inc., Unit301-5F, Bucheon Technopark Ssangyong III,
#36-1 Samjeong-Dong, Ojeong-Gu, Bucheon-Si, Gyeonggi-Do, Korea

Tel: 82-(0)32-624-1200~3 Fax: 82-(0)32-624-1225 e-mail: Sales@knjelectronics.com