

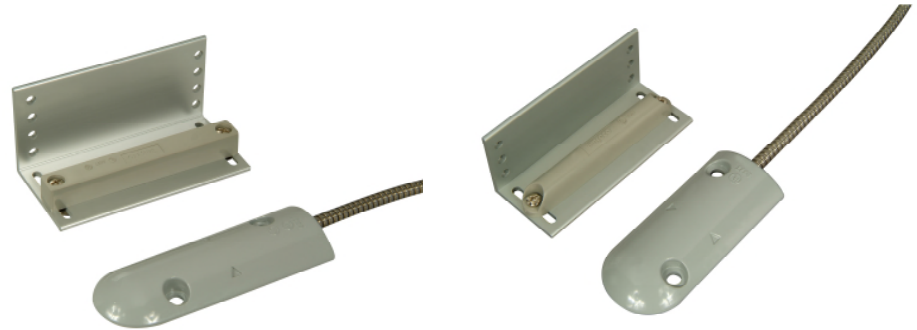
Overhead Door Contact

ODC-59 HG / MINI Series

Product Specifications

1. Features

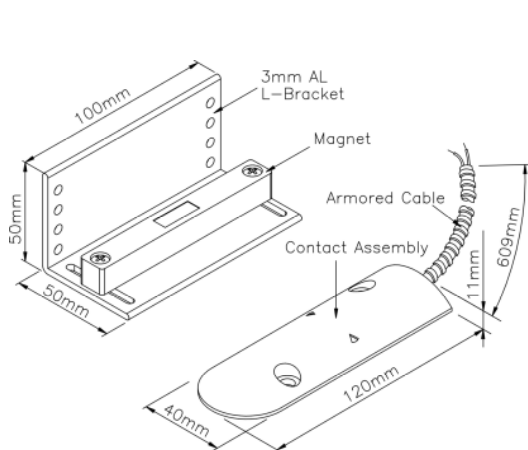
- UL and ULC listed
- 2" operating gap
- HG - 7" Horizontal gap
- 24" stainless steel armored cable
- Adjustable, aluminum L bracket
- Hermetically sealed reed switch



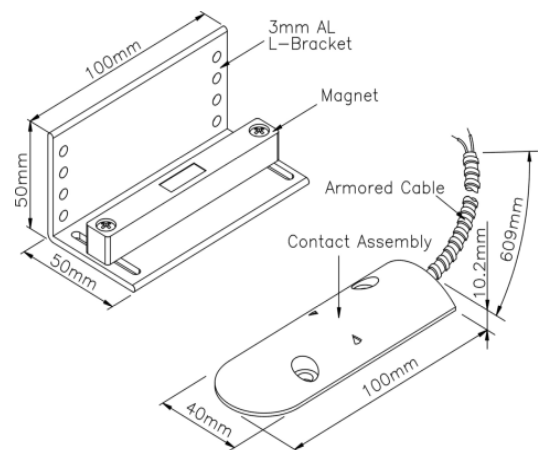
ODC-59 HG

ODC-59 MINI

2. Dimensions



ODC-59 HG



ODC-59 MINI

3. Specifications

Model Number	Operating Gap	Contact	Contact Type	Max. Switching Current	Max. Carry Current	Breakdown Voltage	Rating	Magnet Type	Operating Temperature Range
ODC-59A-HG	2"	24"Lead	N.O	0.5A	2A	250V DC	10VA	Alnico-5	32°F ~ 120°F (0°C ~ 49°C)
ODC-59B-HG			N.O N.C	0.2A	0.5A	200V DC	3VA		
ODC-59A-MINI			N.O	0.5A	2A	250V DC	10VA	-	

The specification is subject to change without any prior notice for the improvement or modifications

. K&J Electronics Inc., Unit301-5F, Bucheon Technopark Ssangyong III,

#36-1 Samjeong-Dong, Ojeong-Gu, Bucheon-Si, Gyeonggi-Do, Korea

Tel: 82-(0)32-624-1200~3 Fax: 82-(0)32-624-1225 e-mail: Sales@knjelectronics.com