

# Latching Hold-up Switches

## HUSK-20

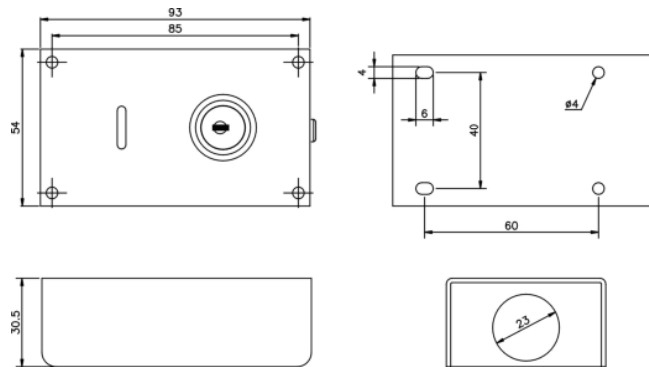
## Product Specifications

### 1. Features

- Form C contact
- Metal housing
- Key reset
- Silent operation
- Status window indicator (armed, alarmed)
- Mechanical operation
- Terminals for easy wiring



### 2. Dimensions



### 3. Specifications

Model	Contact Type	Contact Rating			Screw Terminals Capacity	Overall Stroke	Overall Force
		125V AC	30V DC	125V DC			
HUSK-20	N.O/N.C	6 Amp	5 Amp	0.4 Amp	AWG #18	2 mm ~ 4mm	250g ~ 350g
KEY							