

# Card Reader

## CDR-0360A / 0363A / 0370A

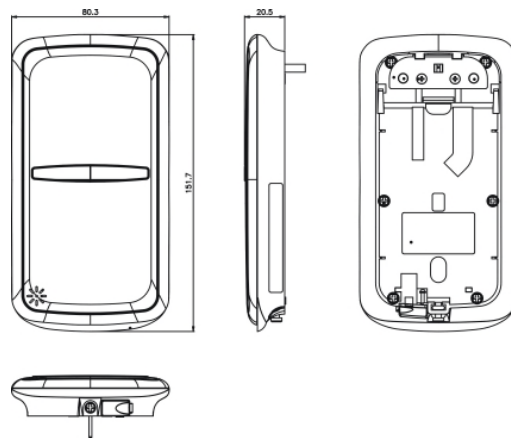
## Product Specifications

### 1. Features

- LCD Display
- RS-422 Multi Drop
- Operating Voltage DC9~28V



### 2. Dimensions



### 3. Specifications

Model Number	RF Card Standard	Display Type	Operating Voltage	Normal Current		Max Current		Operating Temperature Range
				DC 12V	DC 24V	DC 12V	DC 24V	
CDR-0360A (For Commercial area)	125Khz Temic	LCD	DC 9.6V ~ 28.8V	Less than 230mA	Less than 120mA	Less than 450mA	Less than 200mA	-10°C ~45°C
CDR-0363A (For Commercial area)	13.56Khz ISO-14443 Type A MIFARE ISO-14443 Type B			Less than 230mA	Less than 120mA	Less than 500 mA	Less than 200mA	
CDR-0370A (For Residential area)	125Khz Temic		DC 9.6V ~ 14.4V	Less than 180mA	Less than 450mA			